



1,500 LBS WINCHES

NEW ITEMS IN BLUE | UPDATED APPLICATIONS IN RED

BRONCO
ATV & UTV COMPONENTS

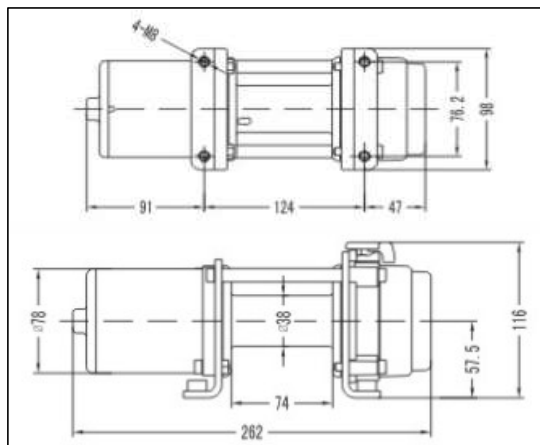
GENERATION I WINCH

GENERATION II WINCH

ALL WINCHES INCLUDE A UNIVERSAL MOUNTING BRACKET, HARDWARE, HANDLEBAR SWITCH, AND ELECTRICAL CONNECTIONS AS FEATURED BELOW



AC-12021 SERIES
AC-12022 SERIES



AC-12021
AC-12022
WIRED TYPE



AC-12021-1
AC-12022-1
WIRELESS TYPE

SPECIFICATIONS

RATED LINE PULL	1,500 LBS. (680KGS.) SINGLE-LINE
MOTOR	1.0HP
DIMENSIONS (L X W X H)	262 X 96 X 116 MM
GEARING	DIFFERENTIAL PLANETARY
ROPE (in X ft) (mm X m)	AC-12021 SERIES: STEEL WIRE, 4/25" X 25' (4 MM X 7.6 M)
	AC-12022 SERIES: SYNTHETIC ROPE, 7/36" X 25' (5 MM X 7.6 M)
GEAR RATIO	153 : 1
NW / GW	14KG/16KG(2PC)
MEAS	34.5 X 24.5 X 35 CM (2PC)