



# 5,000 LBS WINCHES

NEW ITEMS IN BLUE | UPDATED APPLICATIONS IN RED

**BRONCO**<sup>®</sup>  
ATV & UTV COMPONENTS

GENERATION I WINCH

GENERATION II WINCH

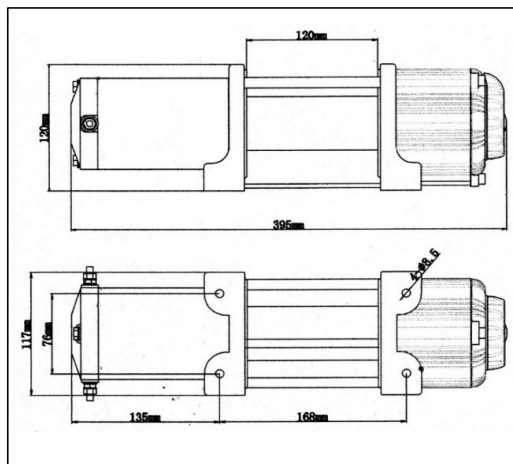
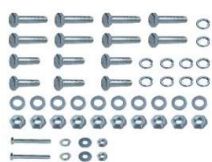
AC-12137 SERIES



AC-12136 SERIES



ALL WINCHES INCLUDE A UNIVERSAL MOUNTING BRACKET, HARDWARE, HANDLEBAR SWITCH, AND ELECTRICAL CONNECTIONS AS FEATURED BELOW



AC-12136  
AC-12137  
WIRED TYPE



AC-12136-1  
AC-12137-1  
WIRELESS TYPE

**SPECIFICATIONS**

|                                  |  |
|----------------------------------|--|
| RATED LINE PULL                  | 5,000 LBS. (2,268KGS.) SINGLE-LINE                             |
| MOTOR                            | 12V  |
| BRAKE                            | MECHANICAL BRAKE   |
| DRUM LENGTH                      | 120MM  |
| ROPE ( in X ft ) ( mm X m )      | AC-12137 SERIES: STEEL WIRE, 3/14" X 50' ( 5.5MM X 15.2M )     |
|                                  | AC-12136 SERIES: SYNTHETIC ROPE, 3/14" X 33' ( 15.2M X 5.5MM ) |
| FAIRLEAD                         | ROLLER   |
| GEAR RATIO                       | 161 : 1  |
| OVERALL DIMENSIONS ( L x W x H ) | 395x120x117mm  |

**PERFORMANCE DATA**

| LAYER | RATED LINE PULL<br>LBS (KGS) | TOTAL ROPE ON DRUM<br>FT (M) | LINE PULL<br>LBS (KGS) | LINE<br>SPEED | MOTOR<br>(DRAW) |
|-------|------------------------------|------------------------------|------------------------|---------------|-----------------|
| 1     | 5,000 (2,268)                | 9.79 (2.98)                  | 0 (N/A)                | 20.5ft (6.2m) | 30 AMPS         |
| 2     | 4,080 (1,851)                | 21.7 (6.62)                  | 1,000 (454)            | 16.1ft (4.9m) | 83 AMPS         |
| 3     | 3,450 (1,565)                | 35.8 (10.9)                  | 2,000 (907)            | 12.8ft (3.9m) | 136 AMPS        |
| 4     | 2,985 (1,354)                | 49.8 (15.2)                  | 3,000 (1,361)          | 10.7ft (3.3m) | 168 AMPS        |
| 5     |                              |                              | 4,000 (1,814)          | 8.6ft (2.6m)  | 232 AMPS        |
| 5     |                              |                              | 5,000 (2,268)          | 6.1ft (1.9m)  | 296 AMPS        |