



6,000 LBS WINCHES

NEW ITEMS IN BLUE | UPDATED APPLICATIONS IN RED

BRONCO[®]
ATV & UTV COMPONENTS

GENERATION I WINCH

GENERATION II WINCH

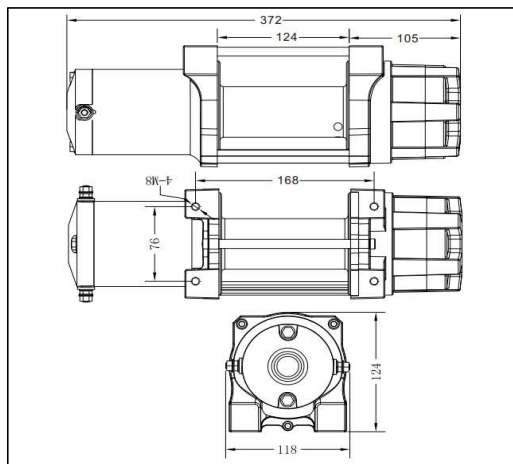
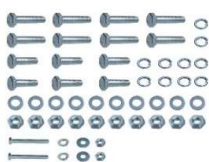
AC-12134 SERIES



AC-12135 SERIES



ALL WINCHES INCLUDE A UNIVERSAL MOUNTING BRACKET, HARDWARE, HANDLEBAR SWITCH, AND ELECTRICAL CONNECTIONS AS FEATURED BELOW



AC-12134
AC-12135
WIRED TYPE



AC-12134-1
AC-12135-1
WIRELESS TYPE

SPECIFICATIONS

RATED LINE PULL	6,000 LBS. (2,722KGS.) SINGLE-LINE
MOTOR	12V
BRAKE	MECHANICAL BRAKE
DRUM LENGTH	120MM
ROPE (in X ft) (mm X m)	AC-12134 SERIES: STEEL WIRE, 1/4" X 49' (6.4MM X 15.2M)
	AC-12135 SERIES: SYNTHETIC ROPE, 15/64" X 49' (6MM X 15.2M)
FAIRLEAD	ROLLER
GEAR RATIO	226 : 1
OVERALL DIMENSIONS (L x W x H)	372x118x124mm

PERFORMANCE DATA

LAYER	RATED LINE PULL LBS (KGS)	TOTAL ROPE ON DRUM FT (M)	LINE PULL LBS (KGS)	LINE SPEED	MOTOR (DRAW)
1	6,000 (2,722)	11.15 (3.4)	0 (N/A)	18ft (5.5m)	29 AMPS
2	4,878 (2,217)	22.47 (6.85)	1,000 (454)	15ft (4.6m)	59 AMPS
3	4,279 (1,945)	36.64 (11.17)	3,000 (1,361)	10ft (3.1m)	116 AMPS
4	3,396 (1,543)	55.1 (16.8)	4,000 (1,814)	8ft (2.4m)	155 AMPS
5			5,000 (2,268)	5ft (1.5m)	211 AMPS
6			6,000 (2,722)	3.5ft (1.1m)	277 AMPS