



CV AXLE BOOT KITS

NEW ITEMS IN BLUE | UPDATED APPLICATIONS IN RED

08

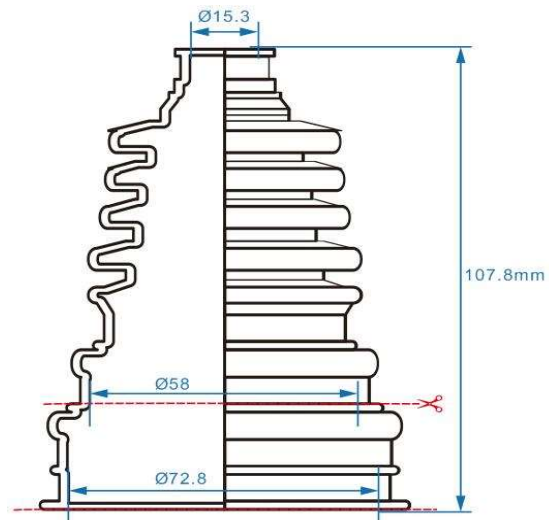
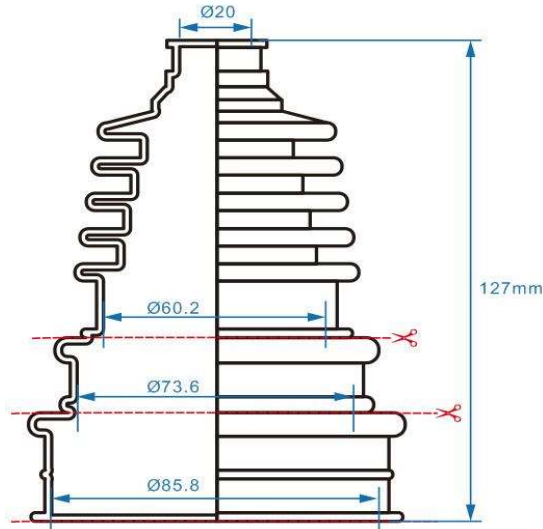
UNIVERSAL CV BOOT KITS



AT-08511



AT-08521-1B



- * EXCEEDS OEM QUALITY
- * UNIVERSAL DESIGN FITS MANY ATV / UTV APPLICATIONS
- * HIGH-QUALITY, FLEXIBLE RUBBER COMPOUND FOR MAXIMUM BOOT LIFE IN ANY TEMPERATURE OR WEATHER CONDITION

APPLICATION	YEAR	FRONT		REAR	
		OUTBOARD	INBOARD	OUTBOARD	INBOARD
ARCTIC CAT					
250 2X4	1999-05				AT-08521-1B
250 4X4	2001-05		AT-08521-1B	AT-08521-1B	AT-08521-1B
280 4X4 98	1998		AT-08521-1B	AT-08521-1B	
300 2X4	2001-03				AT-08521-1B
300 4X4	1999-00		AT-08521-1B	AT-08521-1B	
300 4X4	2001-05		AT-08521-1B	AT-08521-1B	AT-08521-1B
371 4X4	1998		AT-08521-1B	AT-08521-1B	
375 4X4	2002		AT-08521-1B	AT-08521-1B	
400 2X4	2003-04				AT-08521-1B
400 4X4	1999-04		AT-08521-1B	AT-08521-1B	
400 4X4 FIS	1998-02		AT-08521-1B	AT-08521-1B	AT-08521-1B
400 ACT/AUTO ACT 4X4	2003-04		AT-08521-1B	AT-08521-1B	
400 TBX 4X4	2002-06		AT-08521-1B	AT-08521-1B	AT-08521-1B
400 TRV 4X4	2006-10		AT-08521-1B	AT-08521-1B	AT-08521-1B
400 VP/AUTO VP 4X4	2005-06		AT-08521-1B	AT-08521-1B	
400I 2X4	2002				AT-08521-1B
450 EFI 4X4	2011		AT-08521-1B	AT-08521-1B	AT-08521-1B
450 H1 EFI 4X4	2010		AT-08521-1B	AT-08521-1B	AT-08521-1B
454 4X4	1996-98		AT-08521-1B	AT-08521-1B	
493 4X4	1998		AT-08521-1B	AT-08521-1B	
500 4X4 FIS	2002-09		AT-08521-1B	AT-08521-1B	AT-08521-1B
500 TBX 4X4	2003-06		AT-08521-1B	AT-08521-1B	AT-08521-1B
500 TRV 4X4	2004-08		AT-08521-1B	AT-08521-1B	AT-08521-1B
550 4X4	2011		AT-08521-1B	AT-08521-1B	AT-08521-1B
550 H1 EFI 4X4	2009-10		AT-08521-1B	AT-08521-1B	AT-08521-1B



CV AXLE BOOT KITS

NEW ITEMS IN BLUE | UPDATED APPLICATIONS IN RED

08

UNIVERSAL CV BOOT KITS

APPLICATION	YEAR	FRONT		REAR	
		OUTBOARD	INBOARD	OUTBOARD	INBOARD
ARCTIC CAT					
650 H1 4X4	2005-10		AT-08521-1B	AT-08521-1B	AT-08521-1B
650 TBX 4X4	2007-09		AT-08521-1B	AT-08521-1B	AT-08521-1B
650 TRV 4X4	2007-10		AT-08521-1B	AT-08521-1B	AT-08521-1B
650 V2 4X4	2004-06		AT-08521-1B	AT-08521-1B	AT-08521-1B
700 4X4	2011		AT-08521-1B	AT-08521-1B	AT-08521-1B
700 ALTERRA	2011		AT-08521-1B	AT-08521-1B	AT-08521-1B
700 DIESEL 4X4	2008-10		AT-08521-1B	AT-08521-1B	AT-08521-1B
700 EFI AUTO 4X4	2006-08		AT-08521-1B	AT-08521-1B	AT-08521-1B
700 H1 EFI 4X4	2008-10		AT-08521-1B	AT-08521-1B	AT-08521-1B
700 TRV 4X4	2008-11		AT-08521-1B	AT-08521-1B	AT-08521-1B
1000 TRV 4X4	2009-10		AT-08521-1B	AT-08521-1B	AT-08521-1B
UTV					
550 H1 PROWLER 4X4	2009-10		AT-08521-1B	AT-08521-1B	AT-08521-1B
550 PROWLER 4X4	2011		AT-08521-1B	AT-08521-1B	AT-08521-1B
650 H1 PROWLER 4X4	2006-08		AT-08521-1B	AT-08521-1B	AT-08521-1B
700 H1 PROWLER 4X4	2008-10		AT-08521-1B	AT-08521-1B	AT-08521-1B
700 PROWLER 4X4	2011		AT-08521-1B	AT-08521-1B	AT-08521-1B
1000 PROWLER 4X4	2011		AT-08521-1B	AT-08521-1B	AT-08521-1B
1000 PROWLER XTZ 4X4	2009-10		AT-08521-1B	AT-08521-1B	AT-08521-1B

CAN-AM/BOMBARDIER					
330 HO OUTLANDER 2X4	2003-05			AT-08521-1B	AT-08521-1B
330 HO OUTLANDER 4X4	2003-05	AT-08521-1B	AT-08521-1B	AT-08521-1B	AT-08521-1B
400 HO OUTLANDER 4X4	2003-10	AT-08521-1B	AT-08521-1B	AT-08521-1B	AT-08521-1B
400 HO OUTLANDER MAX 4X4	2004-10	AT-08521-1B	AT-08521-1B	AT-08521-1B	AT-08521-1B
400 HO OUTLANDER MAX XT	2006-07	AT-08521-1B	AT-08521-1B	AT-08521-1B	AT-08521-1B
400 HO OUTLANDER XT	2006-07	AT-08521-1B	AT-08521-1B	AT-08521-1B	AT-08521-1B
400 OUTLANDER/MAX 4X4	2011	AT-08521-1B	AT-08521-1B	AT-08521-1B	AT-08521-1B
500 HO OUTLANDER EFI MAX/XT 4X4	2007-10	AT-08521-1B	AT-08521-1B	AT-08521-1B	AT-08521-1B
500 OUTLANDER 4X4	2011	AT-08521-1B	AT-08521-1B	AT-08521-1B	AT-08521-1B
500 OUTLANDER MAX 4X4	2011	AT-08521-1B	AT-08521-1B	AT-08521-1B	AT-08521-1B
500 QUEST 4X4	2002-04	AT-08521-1B	AT-08521-1B		
500 QUEST XL 4X4	2002	AT-08521-1B	AT-08521-1B		
500 RENEGADE 4X4	2008-11	AT-08521-1B	AT-08521-1B	AT-08521-1B	AT-08521-1B
500 TRAXTER 4X4	1999-05	AT-08521-1B	AT-08521-1B		
500 TRAXTER MAX 4X4	2003-04	AT-08521-1B	AT-08521-1B		
500 TRAXTER XL 4X4	2002-05	AT-08521-1B	AT-08521-1B		
650 HO OUTLANDER EFI MAX/XT 4X4	2007-10	AT-08521-1B	AT-08521-1B	AT-08521-1B	AT-08521-1B
650 OUTLANDER/MAX	2016-19		AT-08511		
650 OUTLANDER/MAX 4X4	2011	AT-08521-1B	AT-08521-1B	AT-08521-1B	AT-08521-1B
650 OUTLANDER XMR	2013-16		AT-08511		
650 QUEST 4X4	2002-04	AT-08521-1B	AT-08521-1B		
650 QUEST MAX 4X4	2004	AT-08521-1B	AT-08521-1B		
650 TRAXTER AUTO 4X4	2005	AT-08521-1B	AT-08521-1B		
650 TRAXTER MAX AUTO 4X4	2005	AT-08521-1B	AT-08521-1B		
800 HO OUTLANDER EFI	2006-10	AT-08521-1B	AT-08521-1B	AT-08521-1B	AT-08521-1B
800 HO OUTLANDER EFI MAX/MAX XT	2006-08	AT-08521-1B	AT-08521-1B	AT-08521-1B	AT-08521-1B
800 HO OUTLANDER EFI XT	2006-10	AT-08521-1B	AT-08521-1B	AT-08521-1B	AT-08521-1B
800 OUTLANDER XMR	2015		AT-08511		
800 R OUTLANDER/MAX 4X4	2011	AT-08521-1B	AT-08521-1B	AT-08521-1B	AT-08521-1B
800 RENEGADE/RENEGADE X 4X4	2007-10	AT-08521-1B	AT-08521-1B	AT-08521-1B	AT-08521-1B
800 RENEGADE/RENEGADE XXC 4X4	2011	AT-08521-1B	AT-08521-1B	AT-08521-1B	AT-08521-1B
850 OUTLANDER/MAX	2016-19		AT-08511		
1000 OUTLANDER/MAX	2016-19		AT-08511		
1000 OUTLANDER XMR	2013-19		AT-08511		
UTV					
800 COMMANDER 4X4	2011	AT-08521-1B	AT-08521-1B	AT-08521-1B	AT-08521-1B
800 COMMANDER ALL	2013-15		AT-08511		
1000 COMMANDER 4X4	2011	AT-08521-1B	AT-08521-1B	AT-08521-1B	AT-08521-1B
1000 COMMANDER/MAX ALL	2013-15		AT-08511		
1000 MAVERICK/MAX ALL	2016-19		AT-08511		
1000 MAVERICK XMR	2014-15		AT-08511		



CV AXLE BOOT KITS

NEW ITEMS IN BLUE | UPDATED APPLICATIONS IN RED

08

UNIVERSAL CV BOOT KITS

APPLICATION	YEAR	FRONT		REAR	
		OUTBOARD	INBOARD	OUTBOARD	INBOARD
HONDA					
300 TRX 4X4	1988-00	AT-08521-1B	AT-08521-1B		
350 FOURTRAX RANCHER/ES 4X4	2000-06	AT-08521-1B	AT-08521-1B		
350 TRX 4X4	1986-89	AT-08521-1B	AT-08521-1B		
400 FOURTRAX FOREMAN 4X4	1995-05	AT-08521-1B	AT-08521-1B		
400 FOURTRAX RANCHER 4X4	2004-09	AT-08521-1B	AT-08521-1B		
420 FOURTRAX RANCHER 4X4	2009-11	AT-08521-1B	AT-08521-1B		
450 TRX 4X4	1998-04	AT-08521-1B	AT-08521-1B		
475 FOURTRAX FOREMAN / ES 4X4	2005-11	AT-08521-1B	AT-08521-1B		
500 FOURTRAX FOREMAN RUBICON 4X4	2005-11	AT-08521-1B	AT-08521-1B		
500 FOURTRAX FOREMAN RUBICON GPSCAPE 4X4	2005-10	AT-08521-1B	AT-08521-1B		
500 TRX RUBICON 4X4	2001-04	AT-08521-1B	AT-08521-1B		
650 TRX RINCON 4X4	2003-05	AT-08521-1B	AT-08521-1B	AT-08521-1B	AT-08521-1B
650 TRX RINCON GPSCAPE 4X4	2005	AT-08521-1B	AT-08521-1B	AT-08521-1B	AT-08521-1B
680 RINCON 4X4	2006-11	AT-08521-1B	AT-08521-1B	AT-08521-1B	AT-08521-1B
680 RINCON GPSCAPE 4X4	2006-10	AT-08521-1B	AT-08521-1B	AT-08521-1B	AT-08521-1B

KAWASAKI					
300 BAYOU 4X4	1989-04	AT-08521-1B	AT-08521-1B		
300 PRAIRIE 4X4	1999-02	AT-08521-1B	AT-08521-1B		
360 PRAIRIE 4X4	2003-11	AT-08521-1B	AT-08521-1B		
400 BAYOU 4X4	1993-99	AT-08521-1B	AT-08521-1B		
400 PRAIRIE 4X4	1997-02	AT-08521-1B	AT-08521-1B		
650 BRUTE FORCE 4X4	2005-11	AT-08521-1B	AT-08521-1B		
650 BRUTE FORCE 4X4I	2006-11	AT-08521-1B	AT-08521-1B	AT-08521-1B	AT-08521-1B
650 PRAIRIE 4X4	2002-03	AT-08521-1B	AT-08521-1B		
700 PRAIRIE 4X4	2004-06	AT-08521-1B	AT-08521-1B		
750 BRUTE FORCE 4X4I	2005-11	AT-08521-1B	AT-08521-1B	AT-08521-1B	AT-08521-1B
UTV					
750 TERYX 4X4	2008-11	AT-08521-1B	AT-08521-1B	AT-08521-1B	AT-08521-1B
610 MULE ALL 4X4 (400CC)	ALL	AT-08521-1B	AT-08521-1B		
2010 MULE ALL 4X4 (540CC)	ALL	AT-08521-1B	AT-08521-1B		
2510 MULE ALL 4X4 (620CC)	ALL	AT-08521-1B	AT-08521-1B		
2510 MULE DIESEL ALL 4X4 (950CC)	ALL	AT-08521-1B	AT-08521-1B		
3010 MULE ALL 4X4 (620CC)	ALL	AT-08521-1B	AT-08521-1B		
3010 MULE DIESEL ALL 4X4 (950CC)	ALL	AT-08521-1B	AT-08521-1B		
4010 MULE 4X4 (620CC)	2009-10	AT-08521-1B	AT-08521-1B		
4010 MULE DIESEL 4X4 (650CC)	2009-10	AT-08521-1B	AT-08521-1B		

KYMCO					
375 MAXXER IRS 4X4	2009-11	AT-08521-1B	AT-08521-1B	AT-08521-1B	AT-08521-1B
375 MXU 4X4	2009	AT-08521-1B	AT-08521-1B	AT-08521-1B	AT-08521-1B
450I MAXXER 4X4	2011	AT-08521-1B	AT-08521-1B	AT-08521-1B	AT-08521-1B
500 MXU 4X4	2006-07	AT-08521-1B	AT-08521-1B		
500 MXU IRS 4X4	2010-11	AT-08521-1B	AT-08521-1B	AT-08521-1B	AT-08521-1B
UTV					
500 UXV 4X4 ALL		AT-08521-1B	AT-08521-1B	AT-08521-1B	AT-08521-1B

POLARIS					
250 BIG BOSS 4X6	1989-92	AT-08521-1B			
250 BIG BOSS 6X6	1991-93	AT-08521-1B			
250 TRAIL BOSS 4X4	1985-99	AT-08521-1B			
250 XPLOER 4X4	2000-02	AT-08521-1B			
300 4X4	1994-95	AT-08521-1B			
300 BIG BOSS 6X6	1994	AT-08521-1B			
300 HAWKEYE 2X4	2006-07			AT-08521-1B	AT-08521-1B
300 HAWKEYE 4X4	2006-07	AT-08521-1B	AT-08521-1B	AT-08521-1B	AT-08521-1B
300 SPORTSMAN 4X4	2008-10	AT-08521-1B	AT-08521-1B	AT-08521-1B	AT-08521-1B
300 XPLOER 4X4	1996-99	AT-08521-1B			
325 MAGNUM 4X4	2000-02	AT-08521-1B			
325 XPEDITION 4X4	2000-02	AT-08521-1B			
325 HAWKEYE	2015			AT-08511	



CV AXLE BOOT KITS

NEW ITEMS IN BLUE | UPDATED APPLICATIONS IN RED

08

UNIVERSAL CV BOOT KITS

APPLICATION	YEAR	FRONT		REAR	
		OUTBOARD	INBOARD	OUTBOARD	INBOARD
POLARIS					
325 SPORTSMAN ETX	2015			AT-08511	
330 ATP 4X4	2004-05	AT-08521-1B			
330 MAGNUM 4X4	2003-06	AT-08521-1B			
335 SPORTSMAN 4X4	1999-00	AT-08521-1B		AT-08521-1B	AT-08521-1B
350 BIG BOSS 6X6	1993	AT-08521-1B			
350 TRAIL BOSS 4X4	1991-93	AT-08521-1B			
400 4X4	1994	AT-08521-1B			
400 BIG BOSS 6X6	1994-97	AT-08521-1B			
400 SCRAMBLER 4X4	1995-00	AT-08521-1B			
400 SPORTSMAN 4X4	1994-00	AT-08521-1B			
400 SPORTSMAN 4X4	2001-04	AT-08521-1B		AT-08521-1B	AT-08521-1B
400 SPORTSMAN 4X4	2005-11	AT-08521-1B	AT-08521-1B	AT-08521-1B	AT-08521-1B
400 XPLOER 4X4	1995-02	AT-08521-1B			
400 HO HAWKEYE	2011-14			AT-08511	
400 HO SPORTSMAN	2011-14	AT-08511			
425 MAGNUM 4X4	1995-98	AT-08521-1B			
425 MAGNUM 6X6	1996-98	AT-08521-1B			
425 XPEDITION 4X4	2000-02	AT-08521-1B			
450 SPORTSMAN 4X4	2006-07	AT-08521-1B	AT-08521-1B	AT-08521-1B	AT-08521-1B
450 SPORTSMAN	2016			AT-08511	
450 HO SPORTSMAN	2016-19			AT-08511	
455 DIESEL 4X4	1999-01	AT-08521-1B		AT-08521-1B	AT-08521-1B
500 ATP 4X4	2004-05	AT-08521-1B			
500 BIG BOSS 6X6	1998-99	AT-08521-1B			
500 MAGNUM 4X4	1999-02	AT-08521-1B			
500 OUTLAW 4X4	2006-07			AT-08521-1B	
500 SCRAMBLER 4X4	1997-11	AT-08521-1B			
500 SPORTSMAN 4X4	1996-97	AT-08521-1B			
500 SPORTSMAN 4X4	1998-02	AT-08521-1B		AT-08521-1B	AT-08521-1B
500 SPORTSMAN 6X6	2000-07	AT-08521-1B			
500 SPORTSMAN EFI 4X4	2006-09	AT-08521-1B	AT-08521-1B	AT-08521-1B	AT-08521-1B
500 SPORTSMAN EFI TOURING 4X4	2008-09	AT-08521-1B	AT-08521-1B	AT-08521-1B	AT-08521-1B
500 SPORTSMAN HO 4X4	2001-04	AT-08521-1B		AT-08521-1B	AT-08521-1B
500 SPORTSMAN HO 4X4	2005-06 2008-12	AT-08521-1B	AT-08521-1B	AT-08521-1B	AT-08521-1B
500 SPORTSMAN HO TOURING 4X4	2010-11	AT-08521-1B	AT-08521-1B	AT-08521-1B	AT-08521-1B
500 SPORTSMAN X2 4X4	2006	AT-08521-1B	AT-08521-1B	AT-08521-1B	AT-08521-1B
500 SPORTSMAN X2 EFI 4X4	2007-09	AT-08521-1B	AT-08521-1B	AT-08521-1B	AT-08521-1B
500 XPLOER 4X4	1997	AT-08521-1B		AT-08521-1B	AT-08521-1B
500 SCRAMBLER	2011-12	AT-08511			
500 SPORTSMAN FOREST	2011-14	AT-08511		AT-08511	
500 HO SPORTSMAN/TOURING	2011-13	AT-08511		AT-08511	
550 SPORTSMAN 4X4	2011	AT-08521-1B	AT-08521-1B	AT-08521-1B	AT-08521-1B
550 SPORTSMAN TOURING 4X4	2010-11	AT-08521-1B	AT-08521-1B	AT-08521-1B	AT-08521-1B
550 SPORTSMAN X2 4X4	2010-11	AT-08521-1B	AT-08521-1B	AT-08521-1B	AT-08521-1B
550 SPORTSMAN XP 4X4	2009-10	AT-08521-1B	AT-08521-1B	AT-08521-1B	AT-08521-1B
570 SPORTSMAN	2014-17			AT-08511	
570 SPORTSMAN 6X6	2017	AT-08511	AT-08511	AT-08511	
570 SPORTSMAN SP	2015-17			AT-08511	
570 SPORTSMAN TOURING	2014-17			AT-08511	
570 SPORTSMAN TOURING SP	2015-17			AT-08511	
570 SPORTSMAN X2	2015-17			AT-08511	
600 SPORTSMAN 4X4	2003-04	AT-08521-1B		AT-08521-1B	AT-08521-1B
600 SPORTSMAN 4X4	2005	AT-08521-1B	AT-08521-1B	AT-08521-1B	AT-08521-1B
700 MV7 4X4	2005	AT-08521-1B	AT-08521-1B	AT-08521-1B	AT-08521-1B
700 SPORTSMAN 4X4	2002-04	AT-08521-1B		AT-08521-1B	AT-08521-1B
700 SPORTSMAN 4X4	2005	AT-08521-1B	AT-08521-1B	AT-08521-1B	AT-08521-1B
700 SPORTSMAN EFI 4X4	2004	AT-08521-1B		AT-08521-1B	AT-08521-1B
700 SPORTSMAN EFI 4X4	2005-07	AT-08521-1B	AT-08521-1B	AT-08521-1B	AT-08521-1B
700 SPORTSMAN EFI X2 4X4	2008	AT-08521-1B	AT-08521-1B	AT-08521-1B	AT-08521-1B
800 BIG BOSS 6X6	2010-11	AT-08521-1B	AT-08521-1B		
800 SPORTSMAN 6X6 FOREST	2014-15	AT-08511	AT-08511	AT-08511	



CV AXLE BOOT KITS

NEW ITEMS IN BLUE | UPDATED APPLICATIONS IN RED

08

UNIVERSAL CV BOOT KITS

APPLICATION	YEAR	FRONT		REAR	
		OUTBOARD	INBOARD	OUTBOARD	INBOARD
POLARIS					
800 SPORTSMAN EFI 4X4	2005-11	AT-08521-1B	AT-08521-1B	AT-08521-1B	AT-08521-1B
800 SPORTSMAN EFI X2 4X4	2007	AT-08521-1B	AT-08521-1B	AT-08521-1B	AT-08521-1B
800 SPORTSMAN	2011-14	AT-08511		AT-08511	
850 SPORTSMAN TOURING 4X4	2011	AT-08521-1B	AT-08521-1B	AT-08521-1B	AT-08521-1B
850 SPORTSMAN X2 4X4	2011	AT-08521-1B	AT-08521-1B	AT-08521-1B	AT-08521-1B
850 SPORTSMAN XP 4X4	2009-11	AT-08521-1B	AT-08521-1B	AT-08521-1B	AT-08521-1B
850 SCRAMBLER	2016-17	AT-08511			
850 SPORTSMAN HIGH LIFTER	2016-17	AT-08511			
850 SPORTSMAN SP/TOURING	2016-17	AT-08511			
1000 SCRAMBLER	2016-17	AT-08511			
1000 SPORTSMAN	2016-17	AT-08511			
1000 SPORTSMAN HIGH LIFTER	2016-17	AT-08511			
1000 SPORTSMAN TOURING	2016-17	AT-08511			
UTV					
325 ACE	2015-16			AT-08511	AT-08511
EV RANGER	2010-17			AT-08511	AT-08511
LSV RANGER	2010-12			AT-08511	AT-08511
325 M1400	2015-16			AT-08511	AT-08511
325 RANGER ETX	2015-16			AT-08511	AT-08511
400 RANGER 4X4	2010-11	AT-08521-1B	AT-08521-1B	AT-08521-1B	AT-08521-1B
400 RANGER	2010-14			AT-08511	AT-08511
500 RANGER 2X4	2007			AT-08521-1B	AT-08521-1B
500 RANGER 4X4	2004	AT-08521-1B			
500 RANGER 4X4	2005-06	AT-08521-1B	AT-08521-1B	AT-08521-1B	AT-08521-1B
500 RANGER 6X6	2004	AT-08521-1B			
500 RANGER 6X6	2005	AT-08521-1B	AT-08521-1B		
500 RANGER CREW 4X4	2011	AT-08521-1B	AT-08521-1B	AT-08521-1B	AT-08521-1B
500 RANGER EFI 4X4	2006-09	AT-08521-1B	AT-08521-1B	AT-08521-1B	AT-08521-1B
500 RANGER EFI 4X4	2011	AT-08521-1B	AT-08521-1B	AT-08521-1B	AT-08521-1B
500 RANGER	2011-13			AT-08511	AT-08511
500 RANGER CREW	2011-13			AT-08511	AT-08511
570 ACE	2015-19			AT-08511	AT-08511
570 RANGER	2012-17			AT-08511	AT-08511
570 RANGER CREW	2015-16			AT-08511	AT-08511
570 RANGER FULL SIZE	2015-16			AT-08511	
570 RANGER FULL SIZE CREW	2015-16			AT-08511	
570 RZR S	2017			AT-08511	
700 RANGER EFI 6X6	2006-07	AT-08521-1B	AT-08521-1B		
700 RANGER RANGER CREW 4X4	2008-09	AT-08521-1B	AT-08521-1B	AT-08521-1B	AT-08521-1B
700 RANGER XP 4X4	2005-09	AT-08521-1B	AT-08521-1B	AT-08521-1B	AT-08521-1B
800 RANGER 6X6	2010-11	AT-08521-1B	AT-08521-1B		
800 RANGER CREW 4X4	2010-11	AT-08521-1B	AT-08521-1B	AT-08521-1B	AT-08521-1B
800 RANGER XP 4X4	2010-11	AT-08521-1B	AT-08521-1B	AT-08521-1B	AT-08521-1B
800 RZR 4X4	2008-11	AT-08521-1B	AT-08521-1B	AT-08521-1B	AT-08521-1B
800 RZR S 4X4	2009-11	AT-08521-1B	AT-08521-1B	AT-08521-1B	AT-08521-1B
800 RANGER	2011-14			AT-08511	
800 RANGER 6X6	2011-16			AT-08511	AT-08511
800 RANGER CREW	2011-14			AT-08511	
800 RANGER MIDSIZE	2013-14			AT-08511	AT-08511
800 RZR 4	2012-14			AT-08511	
800 RZR	2011-14			AT-08511	
800 RZR S	2011-14			AT-08511	
900 ACE	2016			AT-08511	AT-08511
900 ACE	2017	AT-08511			
900 RANGER	2013-17			AT-08511	
900 RANGER CREW	2014-17			AT-08511	
900 RANGER DIESEL 4X4	2011	AT-08521-1B	AT-08521-1B		
900 RANGER DIESEL	2012-14			AT-08511	
900 RANGER DIESEL CREW	2012-14			AT-08511	
900 RZR 4	2012-14	AT-08511		AT-08511	
900 RZR	2011-14	AT-08511		AT-08511	
1000 RANGER	2017-19			AT-08511	



CV AXLE BOOT KITS

NEW ITEMS IN BLUE | UPDATED APPLICATIONS IN RED

08

UNIVERSAL CV BOOT KITS

APPLICATION	YEAR	FRONT		REAR	
		OUTBOARD	INBOARD	OUTBOARD	INBOARD
POLARIS					
UTV					
1000 RANGER CREW	2017-19			AT-08511	
1000 RANGER DIESEL	2015-17			AT-08511	
1000 RANGER DIESEL CREW	2015-17			AT-08511	
1000 RZR 4	2014	AT-08511			
1000 RZR 4	2015-17			AT-08511	AT-08511
1000 RZR	2014-15	AT-08511		AT-08511	AT-08511
1000 RZR	2016	AT-08511			

SUZUKI					
250 QUAD RUNNER 4X4	1990-02	AT-08521-1B	AT-08521-1B		
300 KING QUAD 4X4	1991-02	AT-08521-1B	AT-08521-1B		
400 EIGER AUTO 4X4	2003-07	AT-08521-1B	AT-08521-1B		
400 EIGER SEMI-AUTO 4X4	2004-07	AT-08521-1B	AT-08521-1B		
400 KING QUAD 4X4	2008-09	AT-08521-1B	AT-08521-1B		
400 KING QUAD 4X4	2011	AT-08521-1B	AT-08521-1B		
450 KING QUAD 4X4	2007	AT-08521-1B	AT-08521-1B	AT-08521-1B	AT-08521-1B
450 KING QUAD AXI 4X4	2008-09	AT-08521-1B	AT-08521-1B	AT-08521-1B	AT-08521-1B
500 KING QUAD AXI 4X4	2009/11	AT-08521-1B	AT-08521-1B	AT-08521-1B	AT-08521-1B
500 QUAD MASTER 4X4	2000-01	AT-08521-1B	AT-08521-1B		
500 QUAD RUNNER 4X4	2000-02	AT-08521-1B	AT-08521-1B		
500 VINSON AUTO 4X4	2003-07	AT-08521-1B	AT-08521-1B		
500 VINSON SEMI-AUTO 4X4	2004-07	AT-08521-1B	AT-08521-1B		
620 QUV 4X4	2005-06	AT-08521-1B	AT-08521-1B		
700 KING QUAD 4X4	2005-07	AT-08521-1B	AT-08521-1B	AT-08521-1B	AT-08521-1B
700 TWIN PEAKS 4X4	2004-05	AT-08521-1B	AT-08521-1B		
750 KING QUAD AXI 4X4 08-09/11	2008-09/11	AT-08521-1B	AT-08521-1B	AT-08521-1B	AT-08521-1B

YAMAHA					
250 BIG BEAR 4X4	1987-99	AT-08521-1B	AT-08521-1B		
250 TIMBERWOLF 4X4	1994-00	AT-08521-1B	AT-08521-1B		
350 BRUIN 4X4	2004-06	AT-08521-1B	AT-08521-1B		
350 GRIZZLY 4X4	2007-11	AT-08521-1B	AT-08521-1B		
350 GRIZZLY 4X4 (IRS)	2007-11	AT-08521-1B	AT-08521-1B	AT-08521-1B	AT-08521-1B
350 WOLVERINE 4X4	1995-05	AT-08521-1B	AT-08521-1B		
400 BIG BEAR 4X4	2000-06	AT-08521-1B	AT-08521-1B		
400 BIG BEAR 4X4 (IRS)	2007-11	AT-08521-1B	AT-08521-1B	AT-08521-1B	AT-08521-1B
400 GRIZZLY 4X4	2007-08	AT-08521-1B	AT-08521-1B	AT-08521-1B	AT-08521-1B
400 KODIAK 4X4	1993-04	AT-08521-1B	AT-08521-1B		
400 KODIAK AUTO 4X4	2005-06	AT-08521-1B	AT-08521-1B	AT-08521-1B	AT-08521-1B
450 GRIZZLY 4X4	2007-11	AT-08521-1B	AT-08521-1B	AT-08521-1B	AT-08521-1B
450 KODIAK 4X4	2003-04	AT-08521-1B	AT-08521-1B		
450 KODIAK 4X4	2005-06	AT-08521-1B	AT-08521-1B	AT-08521-1B	AT-08521-1B
450 WOLVERINE 4X4	2006	AT-08521-1B	AT-08521-1B		
550 GRIZZLY FI 4X4	2009-11	AT-08521-1B	AT-08521-1B	AT-08521-1B	AT-08521-1B
600 GRIZZLY 4X4	1998-01	AT-08521-1B	AT-08521-1B	AT-08521-1B	AT-08521-1B
660 GRIZZLY 4X4	2002-08	AT-08521-1B	AT-08521-1B	AT-08521-1B	AT-08521-1B
700 GRIZZLY 4X4	2007-11	AT-08521-1B	AT-08521-1B	AT-08521-1B	AT-08521-1B
UTV					
450 RHINO 4X4	2006-09	AT-08521-1B	AT-08521-1B	AT-08521-1B	AT-08521-1B
660 RHINO 4X4	2004-07	AT-08521-1B	AT-08521-1B	AT-08521-1B	AT-08521-1B
700 RHINO FI 4X4	2008-13	AT-08521-1B	AT-08521-1B	AT-08521-1B	AT-08521-1B
700 VIKING	2014-17	AT-08521-1B	AT-08521-1B	AT-08511	AT-08511
700 VIKING VI	2015-17	AT-08521-1B	AT-08521-1B	AT-08511	AT-08511
700 WOLVERINE	2017	AT-08521-1B	AT-08521-1B	AT-08511	AT-08511
700 WOLVERINE EPS	2017	AT-08521-1B	AT-08521-1B	AT-08511	AT-08511
700 WOLVERINE R-SPEC EPS	2016-17	AT-08521-1B	AT-08521-1B	AT-08511	AT-08511
YXZ1000R	2016	AT-08521-1B	AT-08521-1B	AT-08511	AT-08511
YXZ1000R EPS	2017	AT-08521-1B	AT-08521-1B	AT-08511	AT-08511
YXZ1000R EPS SS	2017	AT-08521-1B	AT-08521-1B	AT-08511	AT-08511

UNIVERSAL TO FIT BELOW APPS



CV AXLE BOOT KITS

NEW ITEMS IN BLUE | UPDATED APPLICATIONS IN RED

CV BOOT QUICK REPAIR KITS



AT-03097
AXLE SIZE 15.5MM, WIDE END 73MM, H: 106.2MM
W/INSTRUCTION SHEET.

CV BOOT CLAMP KITS



AT-03607
CLAMP 5MM X 254MM X 2PCS, 6.3MM X 482MM X 2PCS
BANDING TOOL(AT-08520A) X 1PCS
W/INSTRUCTION SHEET
MATERIAL:STAINLESS STEEL(430)

CV BOOT CLAMP PLIERS



MC-12758
W/ PVC HANDLE GRIP
MATERIAL: STEEL

BANDING TOOL



UP-12077
FOR CV BOOT
W/ PVC HANDLE GRIP.
W/ CUTTER.
MATERIAL: STEEL

CV BOOT CLAMP PLIERS



UP-12153
CV BOOT CLAMP PLIERS
MATERIAL: STEEL

WIRE AND CV BOOT BAND CUTTER



UP-12076
LENGTH: 8-1/2"(206MM)
W/ PVC HANDLE GRIP
MATERIAL: SCM440
FINISH:BLACK COATING