



5,000 LBS WINCHES

NEW ITEMS IN BLUE | UPDATED APPLICATIONS IN RED

BRONCO[®]
ATV & UTV COMPONENTS

GENERATION I WINCH

GENERATION II WINCH

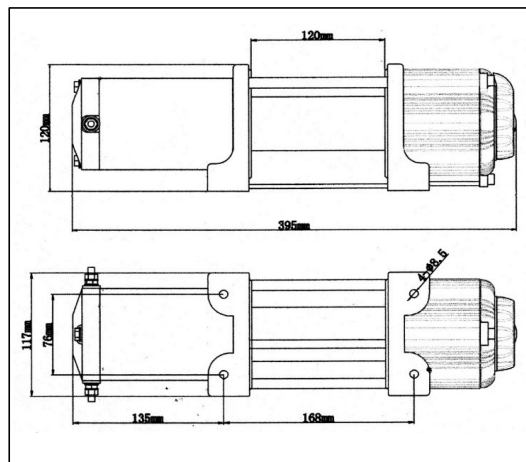
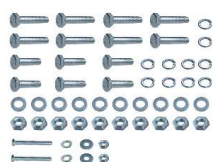
AC-12137 SERIES



AC-12136 SERIES



ALL WINCHES INCLUDE A UNIVERSAL MOUNTING BRACKET, HARDWARE, HANDLEBAR SWITCH, AND ELECTRICAL CONNECTIONS AS FEATURED BELOW



SPECIFICATIONS

RATED LINE PULL	5,000 LBS. (2,268KGS.) SINGLE-LINE
MOTOR	12V
BRAKE	MECHANICAL BRAKE
DRUM LENGTH	120MM
ROPE (in X ft) (mm X m)	AC-12137 SERIES: STEEL WIRE, 3/14" X 50' (5.5MM X 15.2M)
	AC-12136 SERIES: SYNTHETIC ROPE, 3/14" X 33' (15.2M X 5.5MM)
FAIRLEAD	ROLLER
GEAR RATIO	161 : 1
OVERALL DIMENSIONS (L x W x H)	395x120x117mm

PERFORMANCE DATA

LAYER	RATED LINE PULL LBS (KGS)	TOTAL ROPE ON DRUM FT (M)	LINE PULL LBS (KGS)	LINE SPEED	MOTOR (DRAW)
1	5,000 (2,268)	9.79 (2.98)	0 (N/A)	20.5ft (6.2m)	30 AMPS
2	4,080 (1,851)	21.7 (6.62)	1,000 (454)	16.1ft (4.9m)	83 AMPS
3	3,450 (1,565)	35.8 (10.9)	2,000 (907)	12.8ft (3.9m)	136 AMPS
4	2,985 (1,354)	49.8 (15.2)	3,000 (1,361)	10.7ft (3.3m)	168 AMPS
5			4,000 (1,814)	8.6ft (2.6m)	232 AMPS
5			5,000 (2,268)	6.1ft (1.9m)	296 AMPS